

# Automotive inspection vehicle

**Patent****Author(s):**

Moser, Roland; Fischer, Wolfgang; Tache, Fabien; Siegwart, Roland; Mondada, Francesco

**Publication date:**

2008-12-17

**Permanent link:**

<https://doi.org/10.3929/ethz-a-010118561>

**Rights / license:**

In Copyright - Non-Commercial Use Permitted



(11) **EP 2 003 044 A1**

(12) **EUROPEAN PATENT APPLICATION**

(43) Date of publication:  
**17.12.2008 Bulletin 2008/51**

(51) Int Cl.:  
**B62D 55/265<sup>(2006.01)</sup> B62D 57/024<sup>(2006.01)</sup>**

(21) Application number: **07110243.8**

(22) Date of filing: **14.06.2007**

(84) Designated Contracting States:  
**AT BE BG CH CY CZ DE DK EE ES FI FR GB GR HU IE IS IT LI LT LU LV MC MT NL PL PT RO SE SI SK TR**  
Designated Extension States:  
**AL BA HR MK RS**

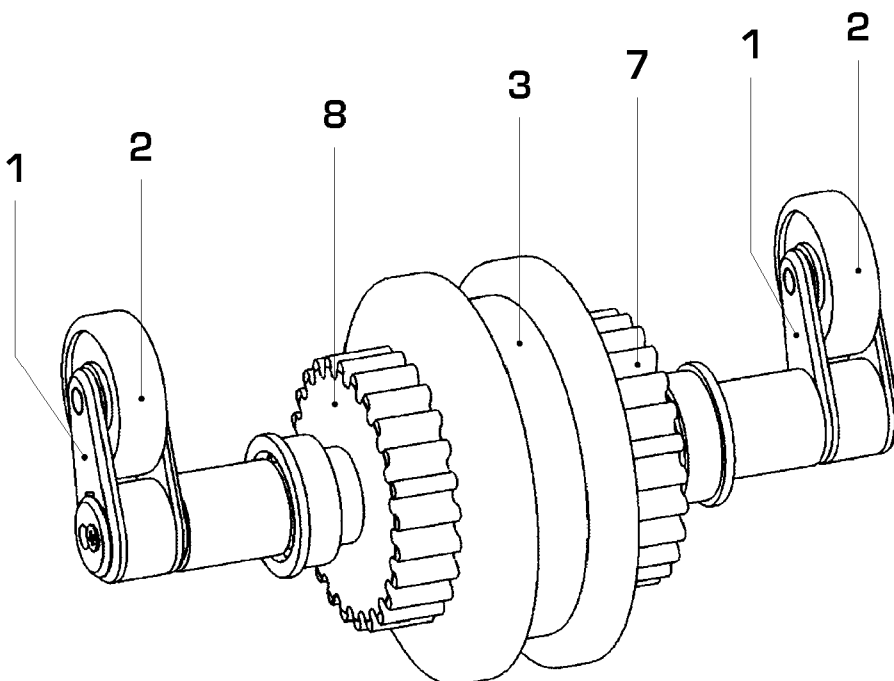
(72) Inventors:  
• **Moser, Roland, Dr.**  
**8005 Zürich (CH)**  
• **Fischer, Wolfgang**  
**8057 Zürich (CH)**  
• **Tache, Fabien**  
**8004 Zürich (CH)**  
• **Siegwart, Roland Yves, Dr.**  
**6430 Schwyz (CH)**  
• **Mondada, Francesco, Dr.**  
**1030 Bussigny (CH)**

(71) Applicant: **Alstom Technology Ltd**  
**5400 Baden (CH)**

(54) **Automotive inspection vehicle**

(57) An automotive device for the inspection of internal spaces having ferromagnetic surfaces includes at least two magnetic wheels (3) or caterpillars, or at least two magnetic legs for the advancement of the device along the surfaces to be inspected. According to the invention, the device includes actively powered rotating arms (1) attached to a wheel (3), caterpillar, or leg of the device. Each rotating arm (1) has a length longer than the shortest distance between the point of attachment of

the rotating arm to the device and the surface. When the device is in a position, where there is magnetic contact to the surface in two or more points and the device is no longer able to advance due to the strength of the magnetic forces, the rotating arms are brought into non-magnetic contact with the surface in order to create an air gap between the surface and the magnetic wheel and thus reduce the magnetic forces. The device is thereby enabled to overcome the magnetic forces and advance the device along the surface.



**FIG. 2**

**EP 2 003 044 A1**

## Description

### Technical Field

**[0001]** The invention pertains to an automotive device for inspection of surfaces, in particular of internal spaces having ferromagnetic surfaces.

### Background Art

**[0002]** Devices used for the inspection of internal spaces are configured to move automotively, without the aid of movement from another source or human being. They contain actuators or motors for the movement of wheels, legs, or caterpillars, which advance the device along a surface. In order to allow the inspection of the entire internal space the devices are equipped such that they can remain in contact with all surfaces, including sidewall and ceiling surfaces. In the case of ferromagnetic surfaces as for example in machines, turbines, or motors, such devices are equipped with permanent magnets or electromagnets incorporated into the legs, wheels, or caterpillars. The magnets allow movement of the inspection device along very steep or vertical walls as well as when it is upside down.

**[0003]** Automotive devices for inspection of internal spaces are dimensioned according to the size of an opening provided to enter the internal space to be inspected. In particular, the size of legs, caterpillar or diameter of wheels and the motor for advancing the device are limited according to the opening. The devices are accordingly suitable for the inspection of flat and convex surfaces as well as surfaces having concave contours that are large compared to the size of the legs, wheels, or caterpillars. If the contour of the surface however, is more complex and includes piping, steps, holes, or grooves, as for example in steam turbine parts such as steam chests, then advancing a device along the surfaces becomes more complex. In particular, when concave contours are smaller than the size of the wheels or caterpillars, the device is no longer able to advance as illustrated for example in figure 1. Figure 1 shows wheels of an inspection device equipped with wheels 3 with magnets providing contact with a ferromagnetic surface 4 at all times. The wheels 3 of the device have reached a concave step of the surface 4, where the step height is smaller than the wheel diameter. The wheel is in contact at two points of the surface, the magnetic forces acting at both points. The motor is not strong enough to overcome the magnetic forces and cannot advance the device any further along the surface.

### Summary of Invention

**[0004]** It is an object of the invention to provide an automotive device for inspection of internal spaces having ferromagnetic surfaces and the device is able to advance along the surfaces by means of wheels, caterpillars, or

legs having magnets in contact with the surfaces. The device shall in particular be able to advance over contours of all sizes and shapes including concave surfaces with step sizes or radius of curvatures smaller than the size of the wheel, caterpillar, or leg of the automotive device.

**[0005]** An automotive device for the inspection of internal spaces having ferromagnetic surfaces includes at least two magnetic wheels or caterpillars, or at least two magnetic legs for the advancement of the device along the surfaces to be inspected. According to the invention, the device includes additionally actively powered rotating arms attached to at least one of the wheels, caterpillars, or legs of the device. Each rotating arm has a length that is longer than the shortest distance between the location of the rotation axis of the rotating arm at the device and the ferromagnetic surface.

When the device is in a position of the type as shown in figure 1 and 3a and its motor cannot overcome the magnetic forces keeping the device in contact with the surfaces, the rotating arms are brought into a position in the direction of the ferromagnetic surface as shown in figure 3b. Due to the length of the rotating arms, a non-magnetic contact between the device and the surface is achieved and pressure forces are created against the surface at one or more contact points on at least one of the wheels or caterpillars, or legs. No magnetic forces act on these contact points created by the rotating arms. The pressure forces lift up the wheel or caterpillar, or leg, whereby an air gap between the surface and the wheel, caterpillar, or leg is formed. By means of the rotating arms, the magnetic force on the wheels or caterpillar at a specific point are reduced. The motor of the device then overcomes the magnetic force and can again advance the device along the surface. Once the device is able to advance again, the rotating arms are brought into a position away from the surfaces such that they do not make any contact and the magnetic forces can act in full.

**[0006]** By means of the rotating arms on both sides of the wheels, caterpillars or legs, the device is more stabilized against tilting in a direction at an angle to the direction of advancement.

**[0007]** In an embodiment of the invention, the rotation axis of the actively powered rotating arms is coaxial with the axis of the device's wheels or caterpillars, or is placed at the level of the leg. This allows most universal and symmetric movement of the device in all directions.

**[0008]** In a further embodiment of the invention, the rotating arms include a non-magnetic wheel or ball attached, which make contact with the surface to be inspected when the rotating arm is rotated to point in the direction of the surface. This measure allows reduced friction at the contact points and thereby higher precision of the movement of the device. This in turn allows the use of a smaller actuator for the device.

**[0009]** In a further embodiment of the device, the device includes only two wheels, for example arranged in the manner of two bicycle wheels in line with the direction

of advancing the device. The distance between the two non-magnetic contact points of the rotating arms with the surface are dimensioned such that the device is stabilized against tilting in a direction at an angle to the direction of advancement of the device. For this, the distance between the non-magnetic contact points shall in suitable manner be as large as possible.

**[0010]** In a further embodiment of the invention, the device includes at least two wheels for the advancement of the device and the actuator for the actively powered rotating arm and the actuator for the turning of the wheels are arranged parallel to the wheel axis and above the wheel, i.e. on the side of the wheel away from the surface. This configuration allows an overall size of the device having minimized width.

In a particular embodiment of the above embodiment the device includes spur gears and / or gear belts for the transmission of the power to the wheels and rotating arms.

**[0011]** The invention is suitable for devices having for advancement of the device either wheels or caterpillars or legs. It is also suitable for devices having wheels or caterpillars and, additionally, legs for advancement.

**[0012]** The device for inspection according to the invention can be equipped with inspection devices such as vision systems and sensing systems such as ultrasonic, eddy-current and x-ray devices.

#### Brief Description of the Drawings

##### **[0013]**

Figure 1 shows a device for the inspection of surfaces of the state of the art having wheels smaller than the size of a step to overcome.

Figure 2 shows a perspective view of the wheel for advancement of a device for the inspection of surfaces of an internal space and the rotating arms according to the invention on both sides of the wheel. Figure 3a shows a side view of the wheel for advancement of a device for inspection having a rotating arm in a position not in contact with the surface. Figure 3b shows the same view as in figure 3a with the rotating arm in contact with the surface.

Figure 4 shows the device according to the invention stabilized against tilt by the rotating arms.

Figure 5 shows the device according to the invention in a partially cut open view showing in particular the mechanism for turning the wheels.

Figure 6 shows a perspective view of the device according to the invention having two wheels, including a mechanism for steering of one wheel.

#### Best Modes for Carrying out the Invention

**[0014]** Figure 2 shows a wheel 3 for advancement of the device for inspection according to the invention, and in particular the actively powered rotating arms 1 and

wheels 2 for achieving non-magnetic contact with the surface. The rotating arms 1 rotate about the shaft coaxial with the rotating axis of the wheel 3. A dented wheel 7 connects the wheel 3 to its gear and actuator or motor (not shown). A dented wheel 8 drives the shaft that turns the rotating arms 1.

**[0015]** Figure 3a and b show two different positions of the rotating arms 1 respectively. Figure 3a shows the non-magnetic wheel 2 of the rotating arm 1 in a position away from a ferro-magnetic surface 4. The wheel 3 is in contact at points 5 and 6 by magnetic forces  $F_{mag}$  with a sidewall surface and a horizontal surface 4, respectively. Figure 3b shows the rotating arm in a position providing non-magnetic contact by means of the wheel 2 with the surface 4. In the device shown, the rotation axis of the rotating arm coincides with the axis of rotation of the wheel 3. The rotating arm 1 including the non-magnetic wheel 2 has a length considered from the axis of rotation of the rotating arm on the device along a straight line to its end at the circumference of the wheel 2; this length is greater than the distance extending from the axis of rotation of the arm at the device along a straight line to the circumference of the magnetic wheel 3. The rotating arm with the wheel 2 when positioned in the direction point 6 of the surface 4, lifts the wheel 3 away from surface 4 by a distance "a", creating an air gap such that the magnetic force  $F_{mag}$  at point 6 is reduced. The motor of the device is then able to overcome the remaining magnetic force and move the device in the direction indicated by the arrow 12. The device remains in contact with the sidewall at point 5 by means of the magnetic force on the wheel 3 in direct contact with the sidewall surface. Figure 4 shows the device for inspection of surfaces on a tilted surface, where the device could fall on its side in spite of the magnetic force  $F_{mag}$ . The rotating arms 1 are in a position such that the wheels 2 are in contact with the tilted surface, thus preventing a tilt of the device. In order to assure optimal stability the distance between the wheel 3 and the wheels 2 is chosen as large as suitably possible.

**[0016]** Figure 5 shows the device according to the invention and in particular the arrangement of actuators 9 for the wheel 3 for the rotating arms 1 with contact wheels 2 and for the wheel 3 for the advancement of the device. Gears 7 and 8, for example spur gears, are arranged for the transmission of power from the actuators 9 to the wheels and rotating arms.

**[0017]** Figure 6 shows the device for inspection of surfaces having two wheels 3 for advancing the device, each equipped with rotating arms 1 with contact wheels 2 for reducing the magnetic force at selected contact points with the surfaces. Actuators 9 are arranged above each wheel 3. A mechanism 11 for steering with one degree of freedom is connected to the axis of the wheel 3 for advancing the device. In an optional embodiment of the device, the steered wheel 3 includes a mechanism 12 for suspension of the wheel 3.

## Terms used in Figures

**[0018]**

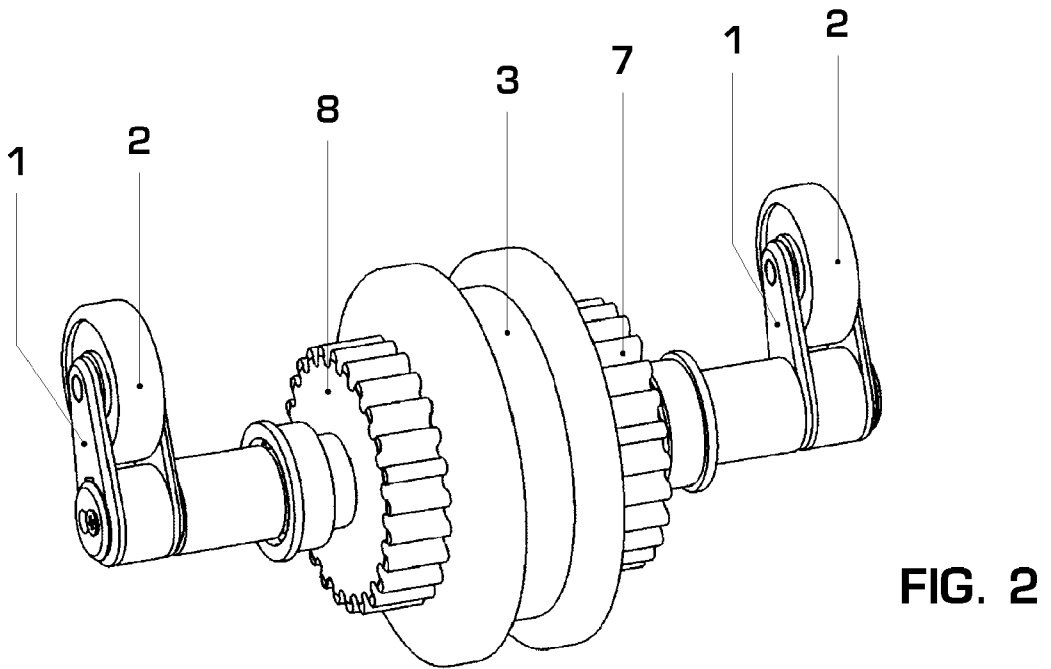
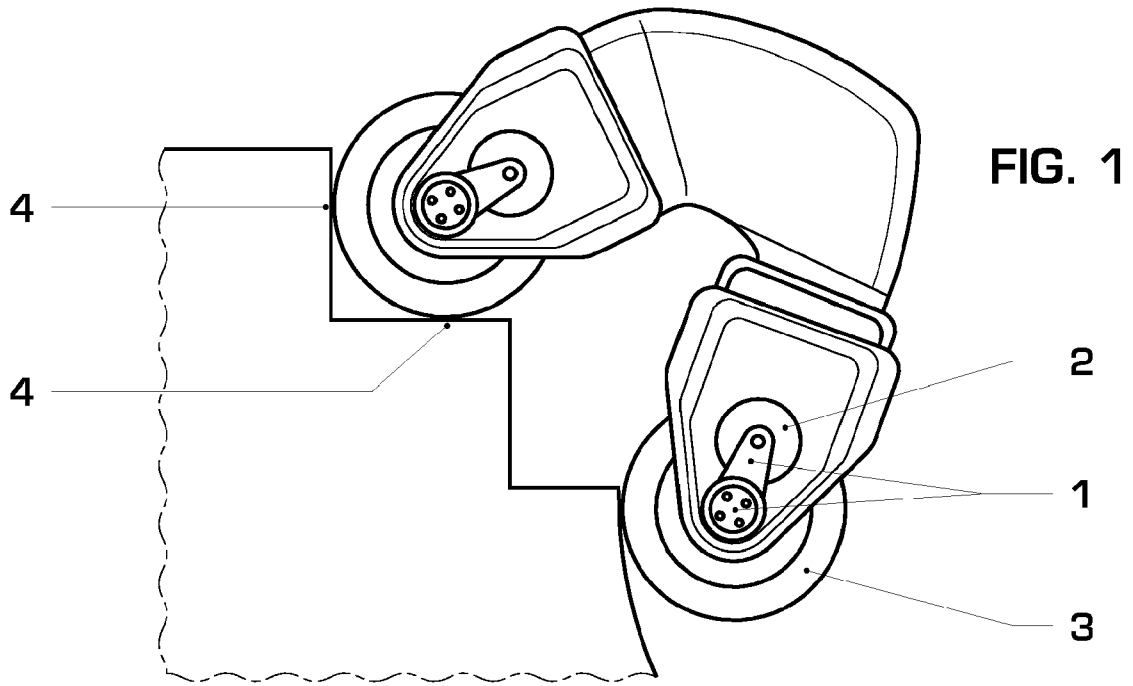
1	actively powered rotating arms	5
2	wheel for non-magnetic contact	
3	wheel for advancing the device for inspection	
4	surface	
5,6	contact points on surface	
7, 8	spur gears	10
9	actuator for wheel for advancing the device and for powering the rotating the arms	
10	suspension system for wheel	
11	steering system for wheel	
12	direction of advancing the device	15

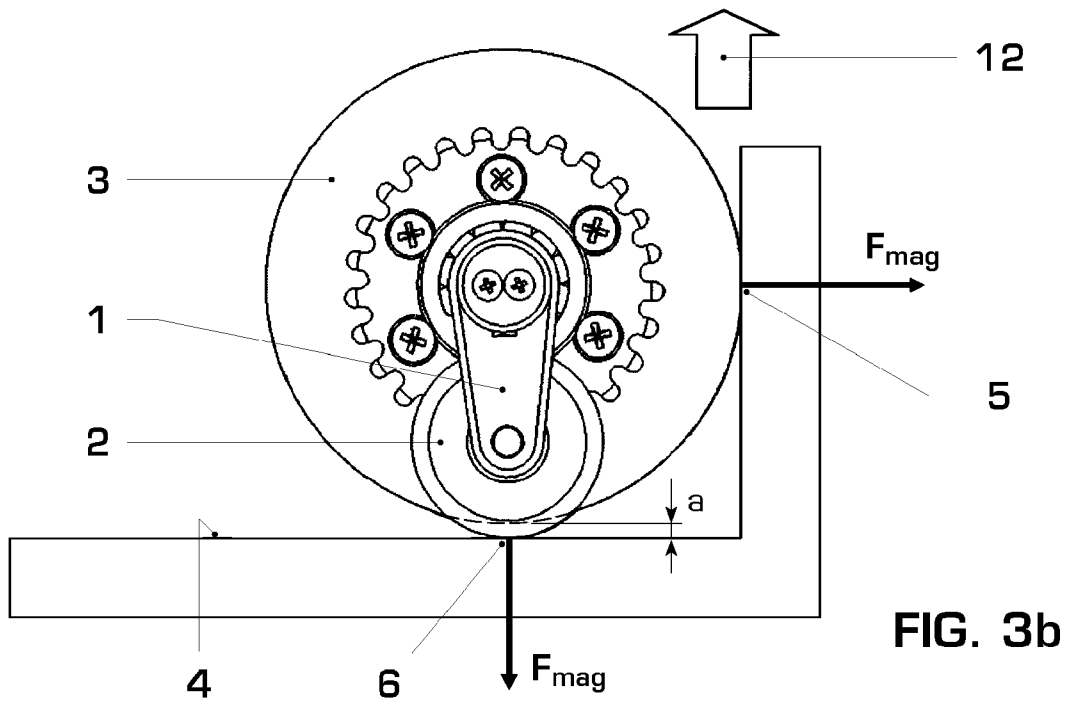
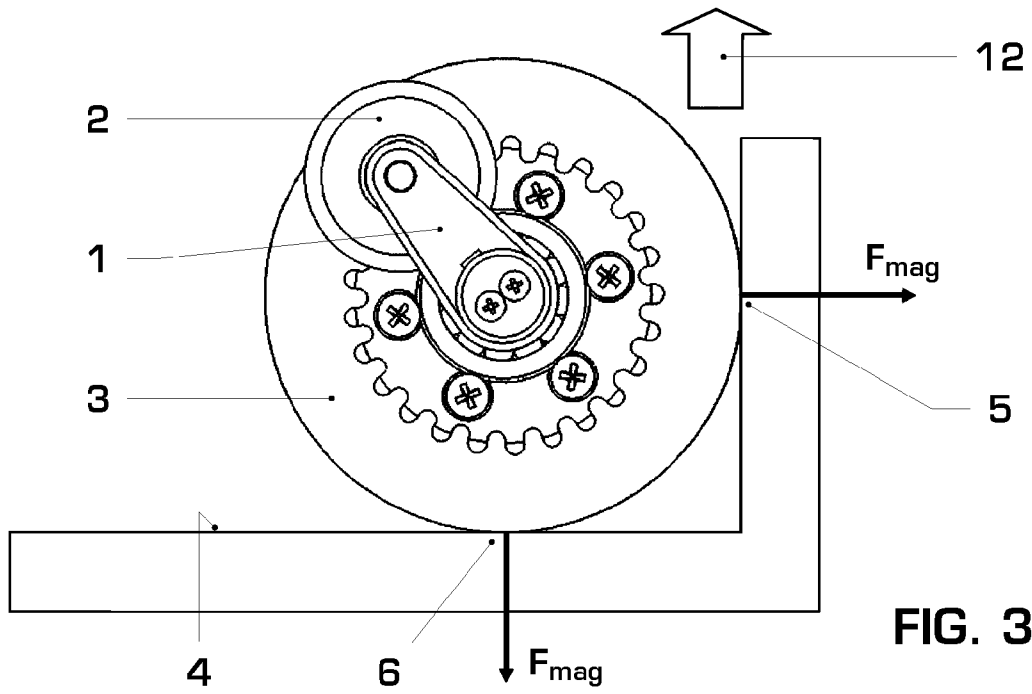
one of the magnetic wheels (3) for advancing the device includes a steering mechanism (11).

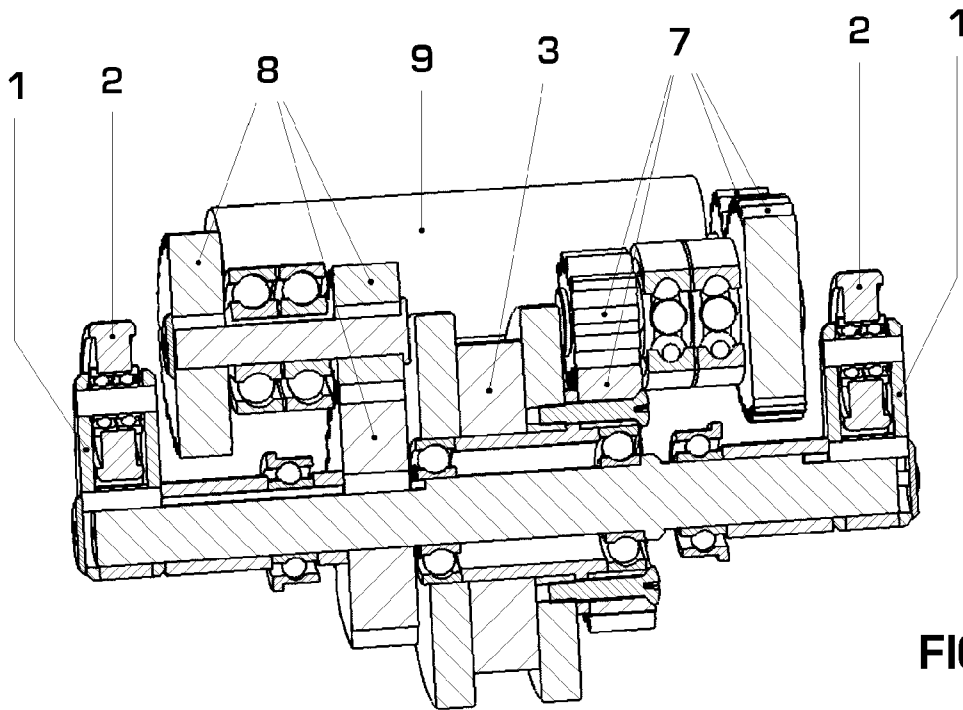
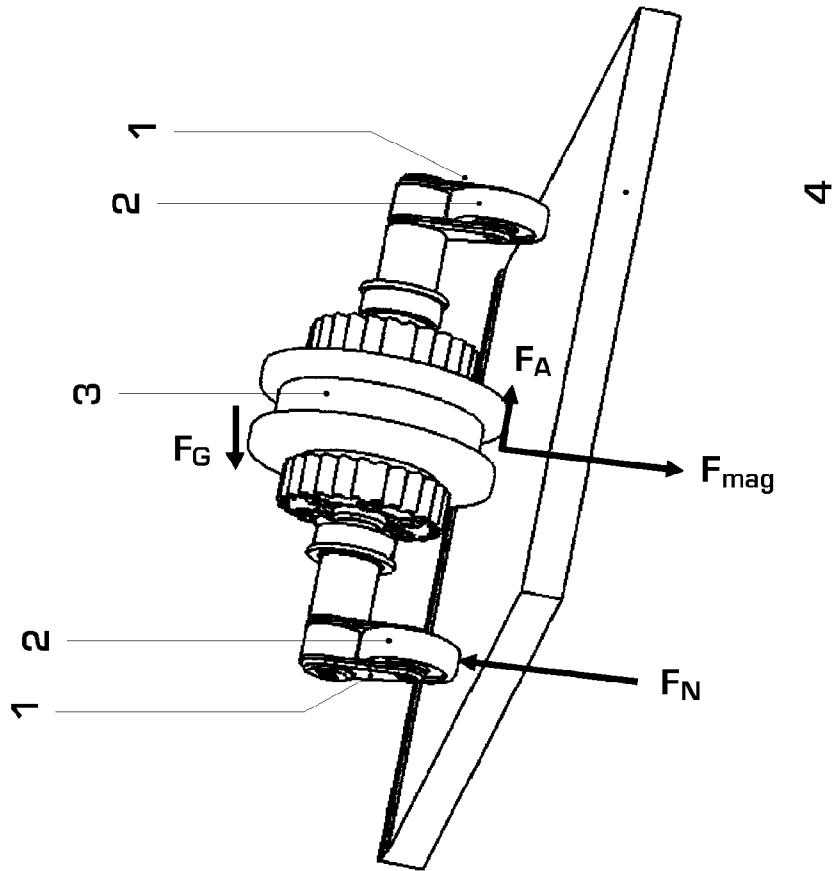
6. An automotive device according to claim 5 **characterized in that** one of the magnetic wheels (3) for advancing the device includes a passive suspension system (12).

**Claims**

1. An automotive device for the inspection of internal spaces having ferromagnetic surfaces (4) includes at least two magnetic wheels (3) or caterpillars, or at least two magnetic legs **characterized in that** the device includes actively powered rotating arms (1) attached to at least one of the magnetic wheels (3), caterpillars or legs of the device, where each rotating arm (1) has a length from its rotation axis to its end that is longer than the shortest distance between the rotation axis of the rotating arm at the device and the ferromagnetic surface (4), and the rotating arm (1) when directed toward the surface (4) is in non-magnetic contact with the surface (4) and there is an air gap (a) between the surface (4) and the at least one magnetic wheel (3).
2. An automotive device according to claim 1 **characterized in that** the rotation axis of the actively powered rotating arms (1) is coaxial with the axis of the device's wheels (3), caterpillars, or leg.
3. An automotive device according to claim 1 or 2 **characterized in that** the rotating arms (1) each include a non-magnetic contact wheel (2) or non-magnetic contact ball arranged at the end of the rotating arms (1).
4. An automotive device according to one of the foregoing claims **characterized in that** an actuator (9) for the actively powered rotating arms (1) and an actuator (9) for the turning of the magnetic wheels (3) are arranged parallel to and above the rotation axis of the magnetic wheels (3).
5. An automotive device according to claim 3 or 4 **characterized in that**









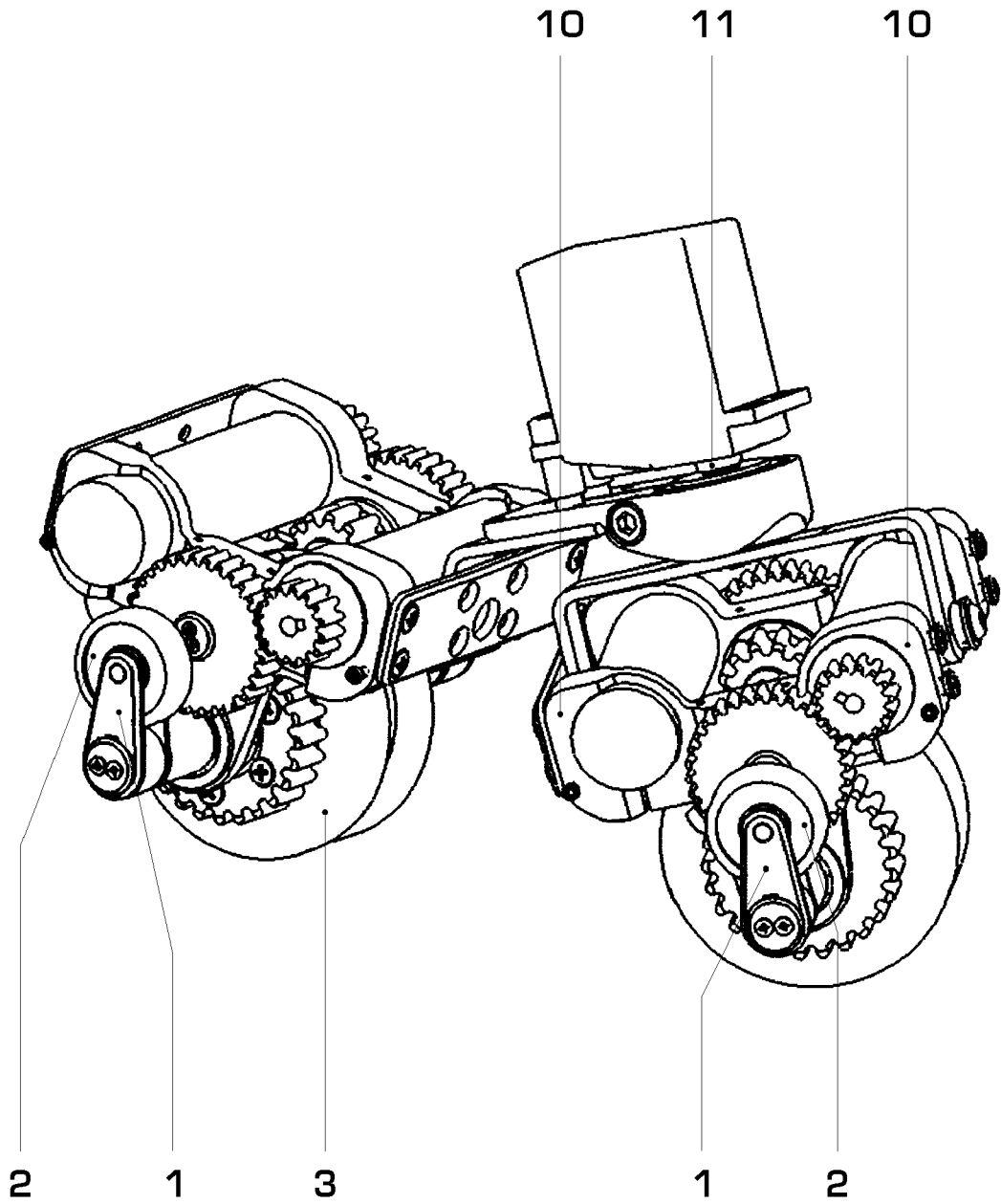


FIG. 6



European Patent Office

EUROPEAN SEARCH REPORT

Application Number  
EP 07 11 0243

DOCUMENTS CONSIDERED TO BE RELEVANT			
Category	Citation of document with indication, where appropriate, of relevant passages	Relevant to claim	CLASSIFICATION OF THE APPLICATION (IPC)
A	US 4 828 059 A (NAITO SHINJI [JP] ET AL) 9 May 1989 (1989-05-09) * figures 3-6 * * column 1, line 40 - line 66 * * column 4, line 25 - column 5, line 45 * -----	1	INV. B62D55/265 B62D57/024
A	EP 0 526 900 A (OSAKA GAS CO LTD [JP]) 10 February 1993 (1993-02-10) * figures 1-3 * * column 4, line 1 - column 7, line 37 * -----	1	
A	US 2004/020002 A1 (MOORE MICHAEL C [US] ET AL) 5 February 2004 (2004-02-05) * paragraph [0036] - paragraph [0041] * -----	1-8	
The present search report has been drawn up for all claims			TECHNICAL FIELDS SEARCHED (IPC)
			B62D B60B B63B F16L
Place of search		Date of completion of the search	Examiner
The Hague		26 October 2007	Westland, Paul
CATEGORY OF CITED DOCUMENTS		T : theory or principle underlying the invention E : earlier patent document, but published on, or after the filing date D : document cited in the application L : document cited for other reasons ..... & : member of the same patent family, corresponding document	
X : particularly relevant if taken alone Y : particularly relevant if combined with another document of the same category A : technological background O : non-written disclosure P : intermediate document			

3  
EPO FORM 1503 03.02 (P04/C01)

**ANNEX TO THE EUROPEAN SEARCH REPORT  
ON EUROPEAN PATENT APPLICATION NO.**

EP 07 11 0243

This annex lists the patent family members relating to the patent documents cited in the above-mentioned European search report.  
The members are as contained in the European Patent Office EDP file on  
The European Patent Office is in no way liable for these particulars which are merely given for the purpose of information.

26-10-2007

Patent document cited in search report		Publication date	Patent family member(s)	Publication date
US 4828059	A	09-05-1989	JP 1867193 C	26-08-1994
			JP 5078465 B	28-10-1993
			JP 63090484 A	21-04-1988
-----				
EP 0526900	A	10-02-1993	DE 69203671 D1	31-08-1995
			DE 69203671 T2	25-01-1996
			JP 3158187 B2	23-04-2001
			JP 5185931 A	27-07-1993
			US 5284096 A	08-02-1994
-----				
US 2004020002	A1	05-02-2004	NONE	
-----				